

SLIDING WINDOWS



Baier

Moving light and shadow

SLIDING WINDOWS – CONVINCING IN ERGONOMY AND DESIGN

Baier means movement. Not only for your façade – Just-in-Time



WE PROVIDE INDIVIDUAL SOLUTIONS – FLEXIBLE AND FAST

Baier means movement. Not only for your façade – Just-in-Time



Perfect positioning in a shopping arcade with promotional Baier sliding windows.

Baier means movement. For more than 50 years now Baier has been specialized in the development, production and assembly of moving façade elements all over Germany and Europe. Besides classic light metal engineering, the product range also includes a portfolio of sliding windows, sliding shutters, driving technology, roof window blinds and door technology. Furthermore, Baier is also an acknowledged distributor for other well-known brands.

Baier starts where standard ends. Therefore Baier places significant emphasis on sustainability in function, manufacture as well as design of our products. We consider ourselves to be a reliable partner of developers, architects and craftsmen who provides particularly high demands with regard to individuality and perfection.

Light metal engineering has been our core competence. Ongoing developments and innovation are the philosophy of our company. Together with you, we gladly work out the right solutions for your ideas and guarantee that these are implemented to your entire satisfaction. In this way individual construction projects emerge in private and industrial fields without necessitating any compromises in terms of function, safety and comfort. We work reliably and within the discussed budget in order to give your façade the chance of creating moving moments.

Sliding folding shutters made of Corten steel.
Slat sun protection for historic buildings.

Representative facade.
Round arch sliding windows for sales success.

Architectural sun protection.
Sliding shutters at "Alten Hof" in Munich.



SLIDING WINDOWS – THE SAFE ADJUSTMENT MIRACLES

Baier means movement. Just-in-Time



Baier sliding windows are used whenever one seeks to increase in comfort, aesthetics, and functionality. Functionality that create movement.

As special design for outdoor openings in swimming pools.

No thresholds ideal for street sale.

From the counter, directly into selling situations. For a successful presentation of goods.

Reliable sliding windows for sidewalk sale. Telescope versions allow maximal opening.

Baier sliding windows offer flexibility and

the maximum level of safety. Own drive

developments guarantee the necessary comfort and your “automatic commercial success”.

Baier stands up to all requirements. Whether it's about furnishing a network of bakeries with new, practical, and cost-effective sliding windows or fulfilling the specific wishes of a private homeowner.

The entire expert knowledge of our metal construction lies in the development of innovative sliding windows of any size. We also pay equal attention to individuality, ease of cleaning, and safety. Along with electrical automatic drives, our experts designed a patented anti-drop device, that becomes effective if the carrier wire breaks. Thanks to our reliable maintenance service, a problem like that will never appear.

- Ergonomic sliding windows for commercial use, e.g. street sale
- Elegant special solutions for private living area
- Horizontal and vertical constructions
- Comfortable service, manual, at the push of a button or by a motion sensor
- For outside and inside areas
- Patented safety system
- Customised production in all desired sizes
- Available in all desired colors also in your company colors
- Made with safety and insulating glass

SLIDING WINDOWS – VERTICAL AND HORIZONTAL DIRECTION

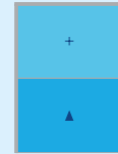
Baier means movement. Just-in-Time



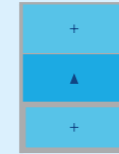
Sliding windows inspire with their versatility. Whether vertical, horizontally or as a sliding skylight. Sliding windows of Baier always make a good impression.

Vertical

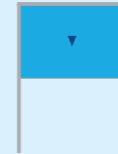
VSF 210
1-sash above



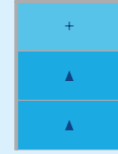
VSF 310
1-sash above



VSF 111
1-sash below



VSF 320-T
2-sash above



VSF 420-7
2-sash above

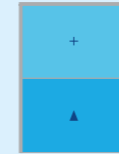


VSF 422-S
2-sash above/below

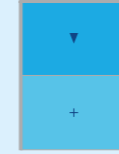


Lift tilt

HKF 210
1-sash above



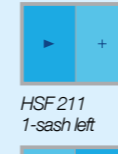
HKF 211
1-sash below



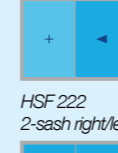
VSF = vertical sliding window
HSF = horizontal sliding window
HKF = lift tilt window

Horizontal

HSF 210
1-sash right



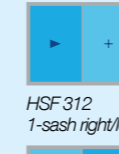
HSF 211
1-sash left



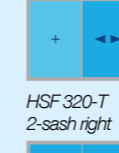
HSF 222
2-sash right/left



HSF 310
1-sash right



HSF 312
1-sash right/left



HSF 320-T
2-sash right



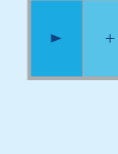
HSF 422-S
2-sash right/left



HSF 422
2-sash right/left



HSF 322
2-sash right/left



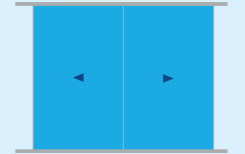
first number = window panes
second number = number of sashes
third number = moving direction 0 = above /right, 1 = below/left, 2 = both directions

Roof sliding window

Classic



Premium



- S = symmetrical
- T = telescopic

Examples!
Other variants are available.

Baier provides solutions. Solutions that inspire. As a finished installation element, you can implement complex situations in a simple and standardized way.

Vertical

Detailed information on page 8-13

- 1-, 2- or more window wings, telescope or symmetrical
- Insulated or non-insulated available
special profile series MAX for extreme dimensions
- Skylights, parapets and side panels available
- Operation: manual or electric
- Weight balancing by counterweights
- Standard with patented fall protection
- Equipped with barrier-free design
- Counter possible on demand and structural requirements
- Standard glazing uninsulated version:
Laminated safety glass 8 mm, clear
- Standard glazing thermally insulated version:
24 mm insulating glass sliding panel with laminated safety glass 2 x 6 mm, fixed unit with 2 x float (thickness according to static), clear
- Many other types of glass and special glasses available
- Aluminum profiles anodized or powder-coated
RAL selectable, DB or special colors
- Many other options and accessories available.

Lift-tilt

Detailed information on page 14 to 15

- 1-sash, up or down
- Special fitting for almost any conventional window system.
This lets them close tightly, similar to a normal tilt and turn window
- Complete integrated manual mechanics in the side frame
- Supplied as standard with fall protection

Horizontal

Detailed information on page 17

- 1 -, 2 - or more sashes, telescope or symmetrical
- Insulated or non-insulated available
- Skylights, parapets and side panels available
- Operation: manual or electric
- High quality sliding fittings
Guided hanging sliding sash above,
Below generally barrier-free with selective guidance
or with continuous guidance if required
- Standard glazing uninsulated version:
Laminated safety glass 8 mm, clear
- Standard glazing thermally insulated version:
Insulating glass 24 mm made of laminated safety glass 2 x 6 mm, clear
- Many other types of glass and special glasses available
- Aluminum profiles anodized or powder-coated
RAL selectable, DB or special Colors
- Many other options and accessories available.

Fire protection

Detailed information on page 16

- Vertical or horizontal window in fire protection variant
- Production performed in accordance with the guidelines of the fire safety regulations. Requires an on-site individual approval
- The basic elements are made of fire protection tested Heroal 082 series
- An electric actuator closes the window in the case of an alarm with the help of a battery

Roof sliding window

Detailed information in a separate brochure

- Horizontal: Classic: 1-sash,
Premium: 2-sash, symmetrical
- Supplied with optional roofing frame
- Operation: manual or electric
- Thermally insulated aluminum frame
- Aluminum profiles powder coated
RAL selectable, DB or Special Colors
- Glazing, depending on the window type and size
- Sun protection, insect screens and roller shutters
available as accessory

Special solutions

Detailed informations on page 18 and 19

Our standard is invincible, but depending on the application some adaptations and special solutions are required. Benefit from our years of experience, a strong team in design, production and assembly as well as our extensive modular system.

- Years of experience with sliding windows in all versions
- In-house control and drive development in
- Window for adverse environmental conditions
- Extreme dimensions and weights
- Locks and combinations
- Special applications such as return systems,
machine housings, drive-in desk, baby drops
and much more

SLIDING WINDOWS – VERTICAL NON INSULATED

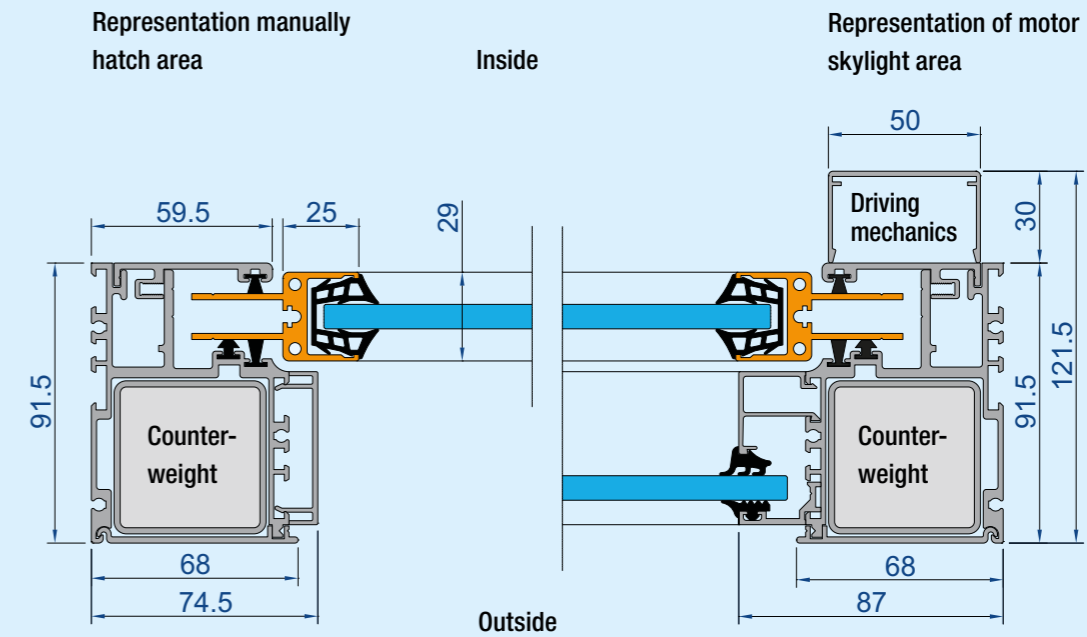
Baier means movement. Just-in-Time

Non-insulated sliding windows are particularly suitable for indoor applications. For example, pass-throughs as sales counters, food banks, machine housings and much more.



VSF 210, single sash above
view from inside, motor

VSF 320-T, double sash above, telescope
view from inside, motor



Facts and figures

Dimension

- Width and height: Customised production
- Possible width and height: up to 2.3 x 3.5 m
Not all width and height ratios possible; telescope designs limited; Larger sizes or different profile systems available on request
- Visible height of upper frame profile laterally outside 87 or 74,5 mm, inside: 59,5 mm
- Visible height of upper window sash profile outside and inside: 78 mm
- View height sash profile above: 40 mm
Visual width sash profile side: 25 mm

Specifications

- 1-, 2- or more sashes
 - Telescope or symmetrical
 - Skylights, balustrades or lateral fields deliverable in standard profile technology
 - Closures like counters, drainage areas, sills etc. deliverable
 - Lowerable
- More variations on demand.

Construction features

- Weight balancing through counterweights: Stainless steel tubes, filled with casted lead, connected with the sashes by stainless-steel cords
- Patented fall protection is equipped as standard
- All mechanics, drive, etc. is integrated into the frame. Control device goes separately
- Removable cover profile for access to the counterweights
- Manual operation: Easy to operate by hand. The window remains in any position
- Electric operation: By comfortable electric motor drive

- Fixed glazing, made of conventional profile systems, allow easy removal of the glass without disassembling the window
- Easy removal of sash by disassembling the maintenance flaps and electric drive
- Manufactured under the guidelines for power operated windows, doors and gates (BGR 232)

Electric drive

- DC brush motor 24V
- Force transmission by toothed belt
- Modern control technology: Limit switches are no longer required because of force cut-off principle
- Control device comes in separate box. Pushbuttons by client
- Different wirings and configurations possible: Dead-man's control, semi- or fully-automatic operation. Partial opening possible. Optionally with soft stop
- Electronics manufactured according to common EU guidelines and is CE marked
- Possibility to connect an additional control or on-site devices
- In general usable without the need of additional safety sensors
- Windows with telescopic sashes wider than 1.200 mm should only be carried out with electric drive
- For detailed function description see page 20 and following

Glazing

- Standard: laminated safety glass 8 mm, clear
- Optional: insulated glazing or inner panel up to 20 mm overall strength in the moving sash 34 mm in the fixed glazing

- All-glass variant: Toughened safety glass 8 mm, clear
- Patterned glass, special foils (matt, toned or dyed) and much more available
- Note: Motorized windows have to be done with safety glass

Surface

- Standard: powder coated / RAL selectable oder anodized E6/EV1
- Powder-coating RAL optionally in DB- or special tones or special anodization possible
- Pre-anodization for aggressive environments (e.g. chlorine) possible
- Cladding with stainless steel possible.

Options

- Signal-contacts „Window open“ / „Window closed“ as alarm contact or for other use.
- Locking through profile cylinder, manual or electric bolt locks.
- Rod locks based on resistance class II
- Clamping profiles for curtain wall
- Standardized closures and fixed glazing
- Fixing preparation for roller shutters
- All-glass variant: No horizontal profiles (except upper frame profile)
- Handle or recessed handle; continuous handle bar
- Additional safety sensors, motion detectors and control devices
- Special applications like airlocks, book return counters or baby hatches
- Cleanroom

SLIDING WINDOWS – VERTICAL INSULATED

Baier means movement. Just-in-Time

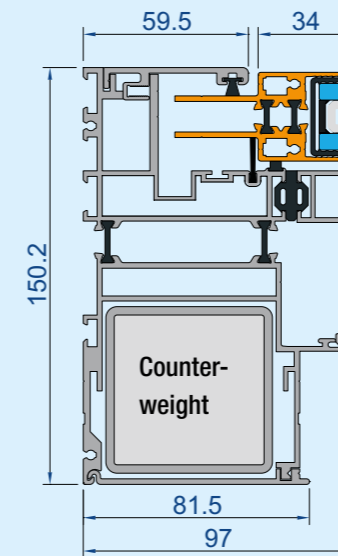
The thermally insulated version is especially suitable for applications in the façade. For example for street sales, façade openings, swimming pool windows, return systems and baby hatches.



VSF 210, single sash above
view from inside, motor

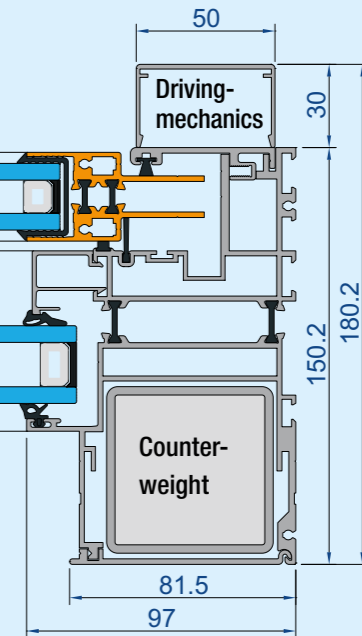
VSF 320-T, double sash above, telescope
view from inside, motor

Representation manually
hatch area



Inside

Representation of motor
skylight area



Outside

Facts and figures

Dimension

- Width and height: Customised production
- Possible width and height: up to 2.3 x 3.0 m
Not all width and height ratios possible; telescope designs limited; Larger sizes or different profile systems available on request
- Visible height of upper frame profile laterally outside 97 mm, inside: 59,5 mm
- Visible height of upper window sash profile outside and inside: 80 mm
- View height sash profile above: 40 mm
Visual width sash profile side: 34 mm

Specifications

- 1-, 2- or more sashes
- Telescopic or symmetrical
- Skylights, balustrades or lateral fields deliverable in standard profile technology
- Closures like counters, drainage areas, sills etc. deliverable
- Lowerable
- More variations on demand.

Construction features

- Weight balancing through counterweights: Stainless steel tubes, filled with casted lead, connected with the wings by stainless-steel cords
- Patented fall protection is equipped as standard
- All mechanics, drive, etc. is integrated into the frame. Control device goes separately
- Removable cover profile for access to the counterweights
- Manual operation: Easy to operate by hand. The window remains in any position
- Electric operation: By comfortable electric motor drive

- Fixed glazing, made of conventional profile systems, allow easy removal of the glass without disassembling the window
- Easy removal of sash by disassembling the maintenance flaps and electric drive
- Manufactured under the guidelines for power operated windows, doors and gates (BGR 232)

Electric drive

- DC brush motor 24V
- Force transmission by toothed belt
- Modern control technology: Limit switches are no longer required because of force cut-off principle
- Control device comes in separate box. Pushbuttons by client
- Different wirings and configurations possible: Dead-man's control, semi- or fully-automatic operation. Partial opening possible. Optionally with soft stop
- Electronics manufactured according to common EU guidelines and is CE marked
- Possibility to connect an additional control or on-site devices
- In general usable without the need of additional safety sensors
- Windows with telescopic sashes wider than 1,200 mm should only be carried out with electric drive
- For detailed function description see page 20 and following

Glazing

- Standard: isolating glass 24 mm out of laminated safety glass 2x6 mm, clear

- Optional: insulated glazing or inner panel up to 24 mm overall strength in the moving sash 48 mm in the fixed glazing
- All-glass variant: Toughened safety glass 8 mm, clear
- Patterned glass, special foils (matt, toned or dyed) and much more available
- Note: Motorized windows have to be done with safety glass

Surface

- Standard: powder coated / RAL selectable oder anodized E6/EV1
- Powder-coating RAL optionally in DB- or special tones or special anodization possible
- Pre-anodization for aggressive environments (e.g. chlorine) possible
- Cladding with stainless steel possible.

Options

- Signal-contacts „Window open“ / „Window closed“ as alarm contact or for other use.
- Locking through profile cylinder, manual or electric bolt locks.
- Rod locks based on resistance class II
- Clamping profiles for curtain wall
- Standardized closures and fixed glazing
- Fixing preparation for roller shutters
- All-glass variant: No horizontal profiles (except upper frame profile)
- Handle or recessed handle; continuous handle bar
- Additional safety sensors, motion detectors and control devices
- Special applications like airlocks, book return counters or baby hatches
- Cleanroom

SLIDING WINDOWS – VERTICAL THERMALLY INSULATED MAX

Baier means movement. Just-in-Time

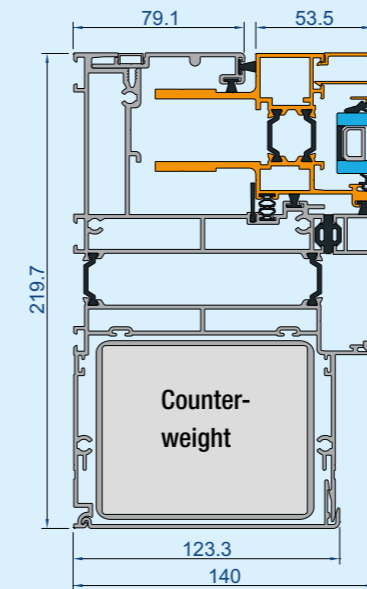
With a thermal division and particularly large profiles the thermally insulated sliding windows are especially suited for use with large measurements and high sash weights.



VSF 210, single sash above
view from inside, motor

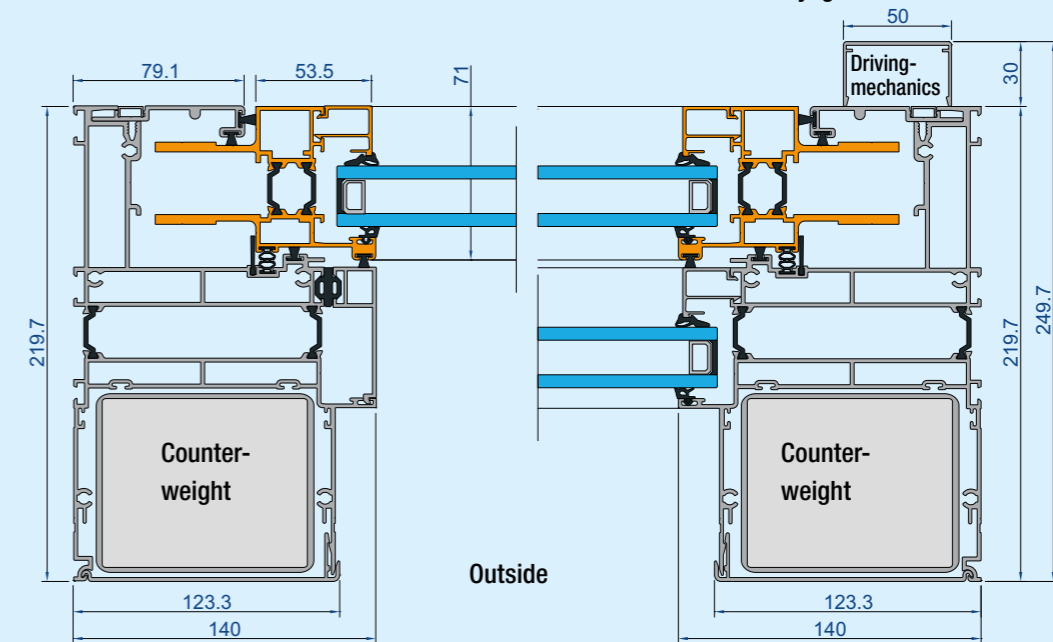
VSF 320-T, double sash above, telescope
view from inside, motor

Representation manually
hatch area



Inside

Representation of motor
skylight area



Outside

Facts and figures

Dimension

- Width and height: Customised production
- Maximum width and height: almost unlimited
Contact us! We are happy to help.
- Visible height of upper frame profile
100 mm or more, depending on window size
- Visible height of upper profile of leaf:
60 mm or more, depending on window size
- Visible width of edge profile of sash: 53.5 mm

Specifications

- 1-, 2- or more sashes
- Telescopic or symmetrical sash available
- Skylights, balustrades or lateral fields available
in standard profile technology
- Closures like counters, drainage areas,
sills etc. available
- Lowerable
- More variations on demand.

Construction features

- Weight balancing through counterweights:
Stainless steel tubes, filled with casted lead,
connected to the sashes by stainless-steel cords
- Patented fall protection is equipped as standard
- All mechanics, drive, etc. is integrated into the frame.
Control device goes separately
- Removable cover profile for access to the counter-
weights
- Electric operation: By comfortable electric motor drive
- Manual operation: Easy to operate by hand.
- The window remains in any position

- Fixed glazing, made of conventional profile systems,
allow easy removal of the glass without disassembling
the window
- Easy removal of sash by disassembling the
maintenance flaps and electric drive
- Manufactured under the guidelines for power
operated windows, doors and gates (BGR 232)

Electric drive

- DC brush motor 24V
- Force transmission by toothed belt
- Modern control technology: Limit switches are
no longer required because of force cut-off principle
- Control device comes in separate box.
Pushbuttons by client
- Different wirings and configurations possible:
- Dead-man's control, semi- or fully-automatic
operation. Partial opening possible. Optionally
with soft stop
- Electronics manufactured according to common
EU guidelines and is CE-marked
- Possibility to connect an additional control or
on-site devices
- In general usable without the need of additional
safety sensors
- Windows with telescopic sashes wider than
1,200 mm should only be done with electric
drive
- For detailed function description see page 20
and following

Glazing

- Standard glazing: Depends on size. On request
- All glazing or panel fillings up to 48 mm overall
thickness
- Triple glazing available
- Patterned glass, special foils (matt, toned or dyed)
and much more available
- Note: Motorized windows have to be done
in safety glass

Surface

- Standard: Anodized E6EV1 or powder-coated
- RAL selectable
- Powder-coating RAL optionally in DB, special colour
shade or special anodization possible
- Pre-anodization for aggressive environments possible
- Cladding with stainless steel possible.

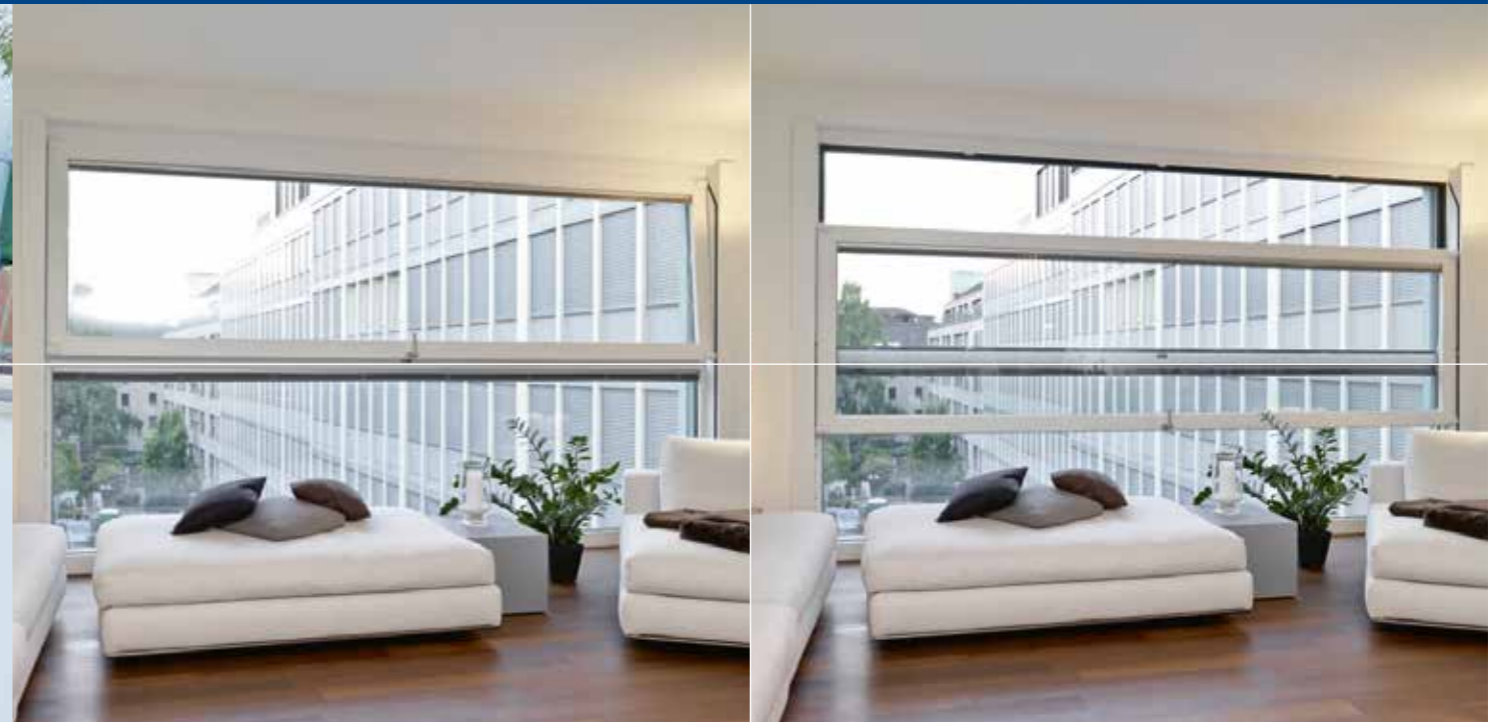
Options

- Signal-contacts „Window open“ / „Window closed“
as alarm contact or for other use.
- Locking through profile cylinder, manual or
electric bolt locks.
- Rod locks based on resistance class II
- Clamping profiles for curtain wall
- Standardized closures and fixed glazing
- Fixing preparation for roller shutters
- All-glass variant: No horizontal profiles
(except upper frame profile)
- Handle or recessed handle; continuous handle bar
- Additional safety sensors, motion detectors and
control devices
- Special applications like airlocks, book return
counters or baby hatches

SLIDING WINDOWS – TIGHTLY SEALED LIFT-TILT VARIANT

Baier means movement. Just-in-Time

This version comes with heat-insulated and tight-fitting profile system. Therefore it is particularly suitable for applications in private homes.



Schematical opening or closing.

Facts and figures

Dimension

- Width and height: Customised production
- Maximum width and height: 4,0 m up to 2,5 m
Not all width and height ratios are possible; larger sizes or different profile systems available on request
- Default profile series Heroal 065:
Exterior frame: 70 mm
System construction: 65/75 mm

Specifications

- 1-sash
- Upward or downward
- From skylights, parapets or side panels
standard profile system available

Construction features

- Usable fitting with almost any windows system usable fitting. Also flush sashes, integral systems, etc., made of aluminum or steel
- Usually with aluminum profile series Heroal 065
- Weight balancing by counterweights: Tied to lead poured stainless steel tubes or steel solid material by stainless steel cables with the wing
- Supplied as standard with fall protection

- Complete manual mechanics integrated in the lateral frame. Drive integrated in the upper frame, separate controls
- Reversible door for counterweights
- Operation Electrical: Comfortable motor drive with dead man's control
- Operation Manual: Easy to operate by hand, able to stop in any position.
Conventional window handle for locking when closed
- Fixed glass and sliding panels made of conventional profile systems allow removing glass from the window without removing or dismantling the window
- Expansion of driving wing by dismantling
Revision profiles and drive possible
- Production according to the guidelines for power-operated windows, doors and gates (BGR 232)

Drive

- Drive motor 230V
- Power transmission via chain
- Switch-off using limit switches,
operation usually deadman's handle
- In deadman's handle operation usually
without additional safety sensors executable

Glazing

- Standard: 28 mm insulating laminated safety glass 2 x 6 mm, clear
- Optional: insulating glazing or panel infill to 48 mm total thickness
- Patterned glass, Special films (matt, tinted or colored) and much more available

Surface

- Standard: Powder coated RAL selectable or E6/EV1
- Powder coating in DB or special colour shades and specially anodized possible
- Pre-anodization in aggressive environmental conditions possible
- Cover with Stainless possible

Options

- Indicator contacts „window closed“ as alarm contact or for on-site controls
- Lock with lockable handle possible
- Connections and fixed glazing
- Installation preparation for roller shutters
- Additional safety sensors, motion sensors and controls

SLIDING WINDOWS – FIRE PROTECTION INCLUDED

Baier means movement. Just-in-Time

This design is for fire protection applications. Manufactured vertically and horizontally, made with steel, aluminum and fire-resistant glazing according to the guidelines of fire protection regulations (F30).



Vertical sliding windows in fire protection design create space in tricky situations

The especially for fire protection developed control system automatically closes the sliding window when an alarm goes off.

Facts and figures

- The windows are manufactured according to the guidelines of the fire protection regulations (F30).
- The construction plans must be agreed on by the responsible authorities.

Dimensions

- Width and height: Made to measure
- Maximum width and height: on request

Components

- Basic elements made of fire protection tested Heroal 082 series
- Wing section steel with insulation boards
- Glazing with Pyrostop 30-10D (F30) 15 mm Built with small blocks made of oakwood and fire protection silicone

Drive and function

- 24V drive motor with toothed belt
- Alarm contact 24V
- If the alarm contact is not connected to 24 V, the wing is closed by a battery. Then the wing cannot be opened via the control button, the battery pack is tested regularly; If there is a defect or the battery is empty, the window cannot be opened and an error or alarm is indicated by a service LED

SLIDING WINDOWS – HORIZONTAL

Baier means movement. Just-in-Time

Designed with horizontally movable wings, thermally insulated or non-insulated. Therefore particularly suitable for applications where a lot of space is available next to the openings.



Fuhrman Planen & Bauen GmbH & Co.KG, Winnenden

On request, we also supply large sliding windows and sliding doors from conventional profile systems in different versions.



HSF 210, 1 sash right view from inside, uninsulated, motor



HSF 210, 1 sash right view from inside, insulated, motor

Facts and figures

Dimensions

- Width and height: Customised production
- Maximum width and height: on request

Classification

- 1-, 2- or multi-sashes
- Telescope or symmetrical
- Skylights, parapets or page fields from standard profile system available Others on request

Construction features

- High quality sliding hardware
- Sliding sash guided hanging above, below without thresholds with selective guidance
- Operation Electrical: With comfortable motor drive including control technology
- Operation Manual: Easy to operate by Hand, Stopper at the end positions

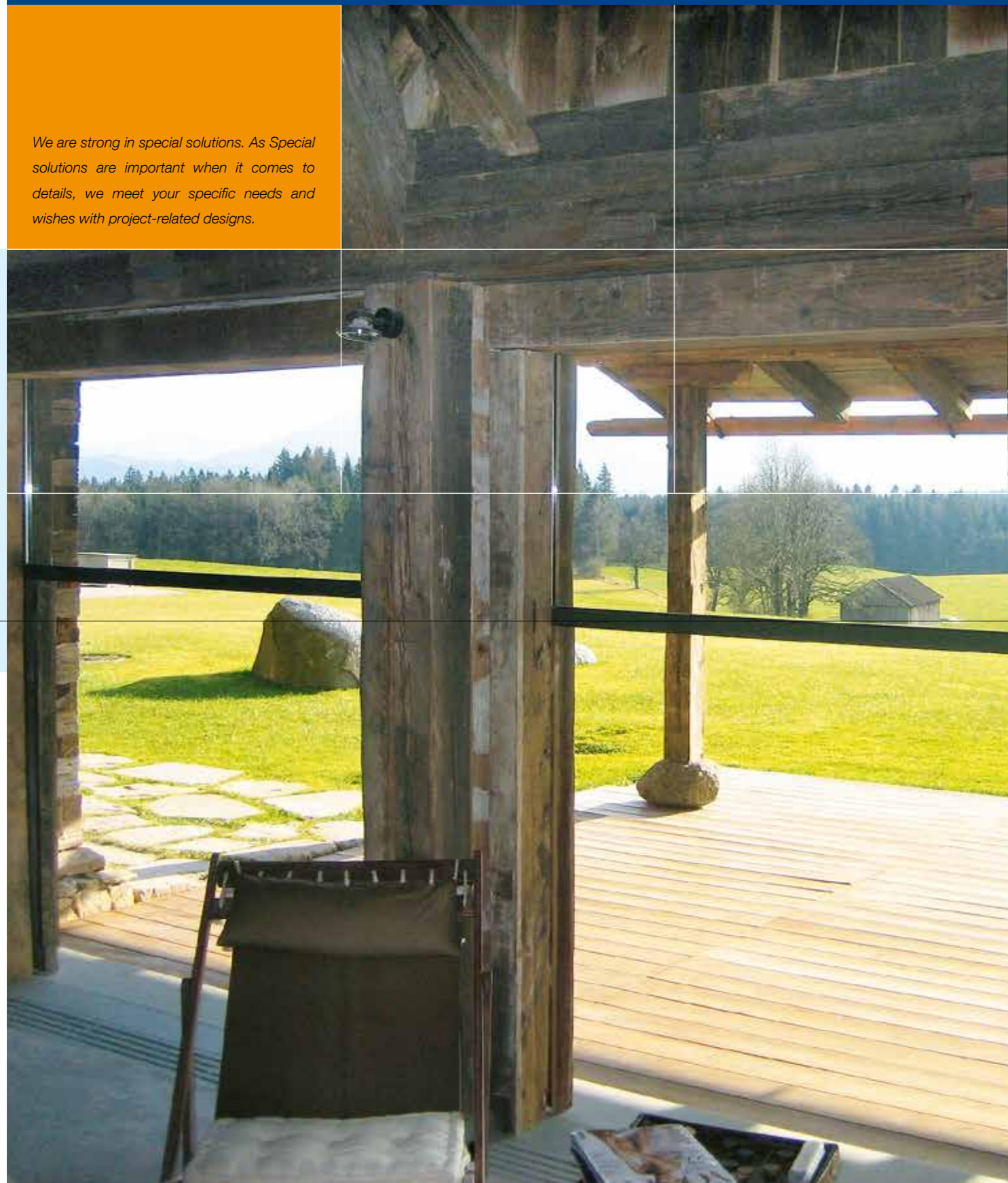
Motor drive

- DC motor 24V
- Power transmission by toothed belt
- Modern control technology: Limit switches no longer required by use of force cut-off principle
- Control is supplied in a separate control box. Button by client
- Variety of end connections and setting options: Deadman's handle, semi-automatic or fully automatic; Partial opening possible; Available with Soft-Stop
- Electronics produced by general EU directives and CE marked.
- Connection of additional or on-site controls
- Executable without additional safety sensors

SLIDING WINDOWS – SPECIAL SOLUTIONS

Baier means movement. Just-in-Time

We are strong in special solutions. As Special solutions are important when it comes to details, we meet your specific needs and wishes with project-related designs.



*Curved vertical sliding window
Inclined sliding window*

*Swimming pool window for separation
the in- and outside*

Baier special solutions are not only large or heavy: Even the smallest details need to meet certain requirements, which we are happy to fulfill for you. Depending on the application we have the right mechanics, the right material and a comfortable automation.

Baier vertical sliding windows:

- Long-term tested technology
- Standardized components are also eligible for special designs „modular system“
- Know-how in planning and construction
- Specially in-house designed controls and drives to be flexible and meet the customer's requirements.

Exemplary special applications:

- Swimming pool windows
- Windows made of stainless steel
- Locks for clean rooms and machinery
- Automatic return systems
- Drive-In counter
- Baby hatch
- Extreme dimensions and weights

DRIVE TECHNOLOGY – DRIVES AND ACCESSORIES

Baier means movement. Just-in-Time



Baier Drive Technology - an intelligent solution. Whether it's vertical, horizontal or any other special solution. Our elements adapt to the conditions. That creates movement.

Drive for vertical sliding windows with an open coverage.

The highest level of control electronics. Development, control, and final assembly in-house.

Baier development stands for perfection.

The sort of perfection that you would expect from a manufacturer and supplier. Our products are as simple as possible and as complex as necessary.

With the compact "Baier" design the drive can easily be integrated into the optical solution for the sliding window.

Due to our continuous development of our drive technology we are able to configure the appropriate control system of your choice made out of various components. Because sliding windows with electric drives lead to an automatic success in sales.

There are two basic control options for vertical and horizontal windows: There is an easy to operate potential-free control for open and close operations. This is ideal for windows that do not have to be closed automatically. For more complex applications Baier has controls with a lot of adjustment options and sophistication. If requested, we can implement automatic closing after a certain period of time, different speed settings, behaviour in case of interruptions and additional in and outputs for on-site systems. This is just a small overview of our range of function.



Control

Pushbutton (on/off)

Radio-transmitter RT 24 (1 Channel)

Key-switch (on/off)



Magic Switch

Facts and figures

Note: The following technical data only applies for the vertical and horizontal sliding window. Technical data for lift-tilt windows and roof-mounted sliding windows is delivered on request.

- 24V DC brush motor
- On request and for special applications motor is equipped with encoder
- Force transmission by toothed belt. The Belt has a steel core with PU coating and nylon fabric
- Control device comes in a separate box, including power supply
- Triggering in general by on-site pushbuttons
- On request with internal triggers and sensors
- Control device force cut-off and soft-stop
 - Automatic teach-in
 - No annoying setup of limit switches
 - Controllable by potential-free contacts
- Functional range of the basic control device:
 - Semiautomatic operation: The window starts to move, when it gets an impulse at its control inputs. The window drives as long as it is not being blocked and has not reached the end position. A stop in any position is achieved by a control impulse in the opposite direction, when the desired position is reached
 - Dead-man's control: Same function as semiautomatic operation, but the window stops instantly, when the control input is cleared
 - Triggering through potential-free contacts: Ground, Open, Close
 - Possibility to connect electric bolt lock
- Additional functional range of the extended control device:
 - All operation modes and functions of the basic control device
 - Fully automatic operation: In addition to semiautomatic operation, the window closes automatically after an adjustable time of 5 to 60 seconds
 - Additional stop input
 - Possibility to connect an encoder for more functions and comfort
 - Push & Go, if the encoder is connected
 - Lots of additional service keys and LEDs, which make the initial operation easier
 - Two configurable, potential-free inputs, one permanent and one switchable
 - 24 V DC output and two configurable relay outputs
 - This allows for example: Reading of reed-contact, programmable partial opening, status output, lock and enable functions (e.g. two windows as airlock)

SERVICE AND FOLLOW-UP SUPPORT – FROM ONE SINGLE SOURCE

Baier means movement. Just-in-Time



Baier service. Our family-oriented way of thinking is reflected clearly in our customer service. Friendly, fast and reliable. Service throughout Germany and Europe. Service that creates movement.



- Competent advice
- Flexible through lean structures
- Solution development
- Large stocks – fast delivery
- Deposition of drawings through in-house design office
- Assembly, maintenance and aftercare throughout Germany and Europe
- Basic and further training

Our Baier customer service is a special philosophy that we apply every day. Because only a product which is a clear and visible realisation of a customer's specific wishes, delivered and assembled reliably, can guarantee long-term pleasure and provide those moving moments which Baier customers appreciate so much.

Baier guides you in your desires and ideas to fulfill all aims in the implementation. Smart project-managements, flat and flexible structures, a safe warehousing and ongoing trainings secure the reliability of our products. Baier is your guide – starting with the consulting, continued with production and assembly to end up with our aftercare operations and maintenance.

Welcome to our family: +49 (0) 78 43 / 94 76-0

Baier: Where our established quality is made:

BAIER GmbH
Reiersbacher Straße 28
D-77871 Renchen-Ulm

Tel. +49 (0) 78 43/94 76-0
www.baier-gmbh.de
info@baier-gmbh.de

