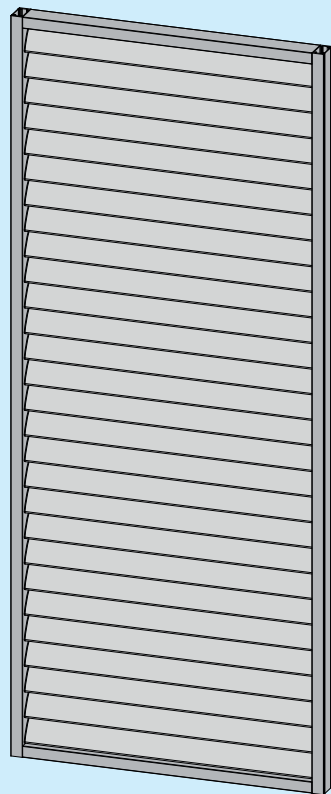


MODEL ERLANGEN – ELLIPTICAL SHAPED SLATS 70 x 16 ROTATABLE

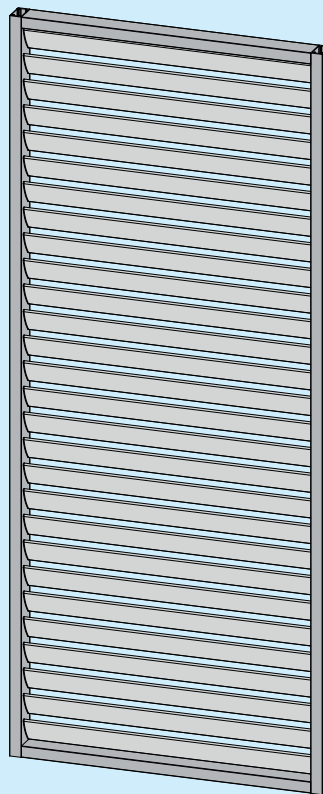
Erlangen

Facts and figures

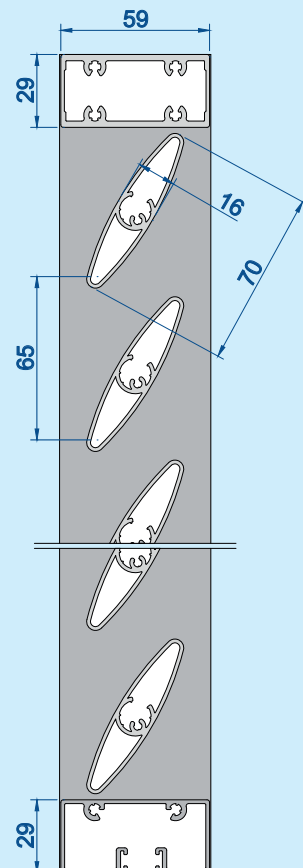
| | |
|-------------------|--|
| Frame | On the sides: Extruded aluminum profile 30 x 60 mm, rectangular Top and Bottom: Extruded aluminum profile 29 x 59 mm, rectangular Alternatively with integrated bottom floor guide |
| Rung | On demand (custom made) |
| Infill | Extruded aluminum profile 70 x 16 mm, elliptical shaped Centre distance of the slats: 65mm |
| Processing | Frame profiles are buttjointed and screwed together. Individual slats put together in bracket and connected to rotatable fitting. Coating of aluminium profiles prior to assembly. |
| Surface | Powdercoated, RAL standard, silk sheen; special colour tones and structures available. |
| Sizes | Maximum width 1400 mm, maximum height 3000 mm Possibly not all widths and heights are available. |
| Weight | approx. 18 kg / m ² |



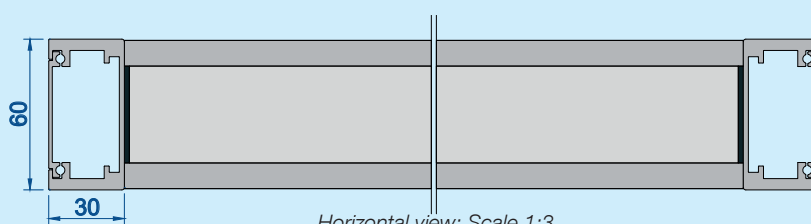
3D view outside
without scale



3D view inside
without scale



Vertical view:
Scale 1:3



Horizontal view: Scale 1:3