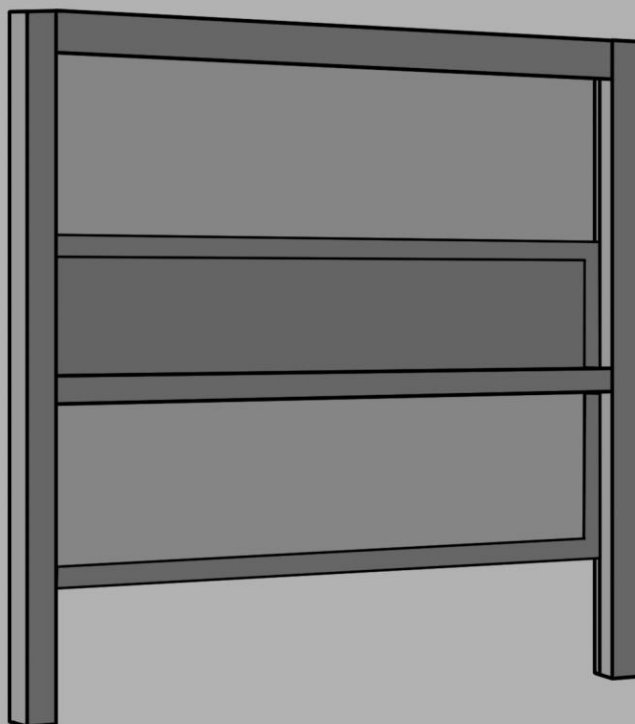




**Baier**<sup>®</sup>

Bewegende Licht- und Schattenelemente

## INSTRUCTION MANUAL



### Vertical sliding window

Product: Sliding window

Version: 0.1e

Language: English

Original language: German

Document: SF0001



## Imprint

### Imprint

Baier GmbH  
Reiersbacher Straße 28  
D-77871 Renchen-Ulm  
Germany

+49 (0) 78 43 / 94 76 - 0  
+49 (0) 78 43 / 94 76 - 33

info@baier-gmbh.de  
www.baier-gmbh.de

#### Document information

Document type:	Instruction manual
Title:	24V motor control device for flush box mounting
Product group:	Sliding windows
Version:	0.1e
Language:	English
Original Language:	German
Document:	SF0001

#### Copyright notice

This is a copyrighted document. It is not allowed to copy it fully or partly, distribute it or use it without authority, if the permission of the above mentioned originator is missing. All rights about the drawings and other documents and the power of disposal is with the originator, also in the case of application for industrial property protection.

#### Declaration of conformity

This product fulfills the basic requirements of the applicable European Directives. The conformity was detected. The original of the Declaration of conformity is available as a separate document from the manufacturer.

#### Technical subjects to change

Our products are always under further development and get improved. The data used for this document represents the state of the product at the time of the creation of this document.

Changings of technical details are excepted. Please use the latest version of the document and contact the manufacturer in case of doubt.

#### Questions?

If you have questions about the vertical sliding window, please contact our Customer Service Baier GmbH with the order or serial number.



## Table of content

<b>1</b>	<b>About this document</b>	<b>4</b>
1.1	Target group	4
1.2	Objective of this document	4
1.3	Reference to other documents, guidelines and standards	4
1.4	Used symbols	5
<b>2</b>	<b>Safety</b>	<b>6</b>
2.1	General	6
2.2	Vertical sliding windows motorized operating	6
<b>3</b>	<b>Operating</b>	<b>7</b>
3.1	Operation	8
3.2	What if...?	8
3.2.1	Operated manuel	8
3.2.2	Operated motorized	8
3.3	Cleaning	9
<b>4</b>	<b>Maintenance</b>	<b>10</b>
4.1	Manuel operation	10
4.1.1	Checklist operated manually	10
4.2	Motorized operation	11
4.2.1	Checklist operated motorized	11



# 1 About this document

## 1.1 Target group

This document addresses qualified personnel. Mounting is only done by technical educated, trained and qualified personnel. Electrical wirings are only done by the specialist.

This document has to be accessible for the executor, has to be understood and used.

## 1.2 Objective of this document

This document contains important information for mounting and wiring the product. This document has to be read before all working, handed and explained to the operator as well as kept available all the time as a part of the product.

## 1.3 Reference to other documents, guidelines and standards

Additional documents like guidelines, standards and laws for product of this art, have to be considered.



### Hint

The fabricator has an increased duty to advice the customer. The relevant guidelines, standards and laws have to be considered.



## 1.4 Used symbols



### Hint

A hint gives important and additional information.

---

### NOTICE

#### Description of type and source of hazards

Warnings, marked with this symbol, are related to safety.  
Disregard may result in property damage.

- Steps to avoid hazards.

---

### ⚠ CAUTION



#### Description of type and source of hazards

This symbol indicates a hazardous situation which, if not avoided, could result in minor or moderate injury and/or property damage.

The following levels of warning show the severity and probability of possible hazards, in ascending order.

- CAUTION, colored yellow
- WARNING, colored orange
- DANGER, colored red

- Steps to avoid hazards.

### List

- symbolizes a list with no specific order
1. symbolizes a list or instruction in specific order

### Instruction

- symbolizes an action
- symbolizes a reference
- ✓ symbolizes the result of the action



## 2 Safety

### 2.1 General

The operator is responsible for the safe operation of the vertical sliding window. Maintenance and repairs may only be done by professionals. The by Baier GmbH prescribed intervals for maintenance are observed.

#### CAUTION



##### **Injury and damage by closing wings**

- Body parts and objects can be trapped. During the movement of the wing, make sure that there are no persons or objects in the danger zone of the sliding wing.

### 2.2 Vertical sliding windows motorized operating

The intervals for the safety inspection shall be observed (in accordance with the national regulations). It is ensured that the relevant accident prevention regulations, the guidelines for power-operated doors, gates and windows (BGR 232, formerly ZH 1/494) must be maintained during the operation of the vertical sliding window.



#### **Hint: power switching off**

The control of the vertical sliding window has a power shutdown. The wing stops when it encounters an obstacle.

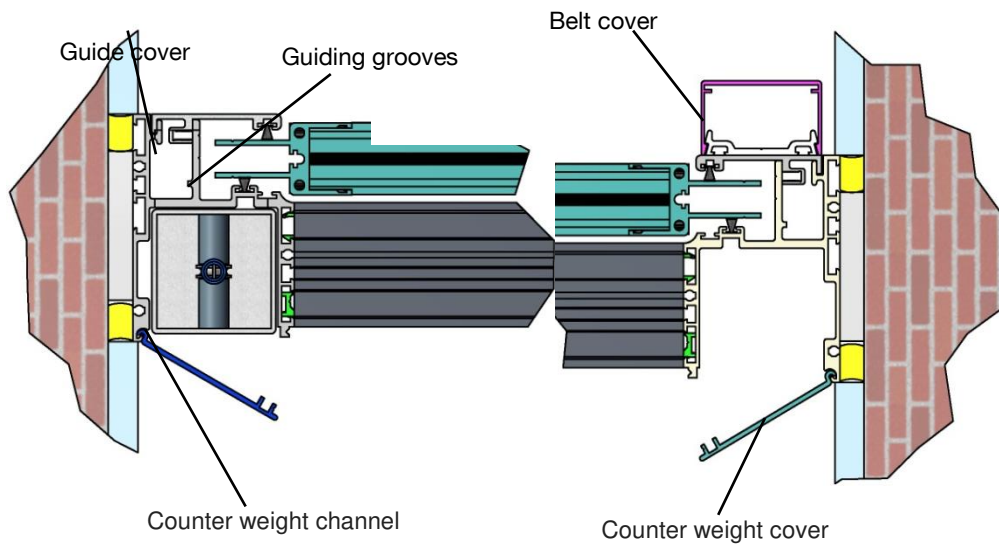


### 3 Operating

The windows are made of extruded aluminum profiles. You have the inside of the guide cover and the outside of the counterweight mounted invisible channel reversible covers (management and counterweight cover), which are accessible when needed.

Add to guiding grooves brush or rubber seals are mounted inside and outside.

For balancing the sliding wing is connected by ropes over pulleys with two counterweights, one in each of the two weight channels. The sliding wing is secured by a rope against falling (falling fuses).



picture 1 – cut drawing



## 3.1 Operation

### Vertical sliding window: manual operation

Operation via handle.

### Vertical sliding window: motorized operation

Operation via pushbutton (open and closed)

## 3.2 What if...?

The errors listed below can usually be fixed by following the instructions. If this is not the case, please contact the manufacturer.

### 3.2.1 Operated manual

#### sliding wing cannot be opened

- Closed locking?
- Unlock lock
- ✓ Sliding wing opens

### 3.2.2 Operated motorized

#### sliding wing will not open by push button

- Closed locking?
- Unlock lock
- ✓ Sliding wing opens by key press

#### Missing mains voltage (fuse)

#### sliding wing doesn't open / close while pressing the buttons

- Connect the mains power supply again
- Press the key
- ✓ Sliding wing opens / closes

#### Wing is in intermediate position

#### Objects within the moving range of the sliding wing

- Remove objects within the operating range of the sliding wing
- Press the key
- ✓ Sliding wing opens / closes





### 3.3 Cleaning

A long-standing decorative appearance of your sliding window can only be achieved through regular cleaning.

#### CAUTION



#### Damage to surfaces by cleaning agents

The use of acidic, alkaline or abrasive cleaning agents can lead to irreparable damage to the window surface and the glass.

- Use for anodized surfaces cleaning solutions with a pH from 5.5 to 7 or are approved by GRM RAL-GZ 632.
- When cleaning with polishing substances must not scratch the surface
- Do not use objects such as knife or steel wool, which could cause scratches on the surface.

Cleaning should be done at least every 6 months depending on the strength of the pollution.

What clean?	How to clean?
Glass surfaces	Wipe with a damp cloth
Stainless steel surfaces	Wipe clean with non-abrasive cloth
Painted surfaces	Wipe clean with soap and water
Anodized surfaces	Wipe with non alkaline soap (ph-value 5.5 - 7)

Table 1 – Cleaning



## 4 Maintenance

The window must be easily accessible for maintenance and modification parts (Figure 1) must be accessible.

### 4.1 Manuel operation

Maintenance interval: Maintenance must be carried out once a year.



#### Hint

Defects found must be corrected immediately.

#### 4.1.1 Checklist operated manually

Activity / function	OK?
Function lock	<input type="checkbox"/>
Function wing	<input type="checkbox"/>
Check the wire rope	
• Fraction	<input type="checkbox"/>
• Fraction partly	<input type="checkbox"/>
Check the fillings	
• Fraction	<input type="checkbox"/>
• Crack	<input type="checkbox"/>
> Clean guides	<input type="checkbox"/>
> Maintain guides with Teflon spray	<input type="checkbox"/>

Table 2 - Checklist - Manuel operating



## 4.2 Motorized operation

### Maintenance interval:

- The intervals for the safety check must be maintained in accordance with the national regulations.
- Maintenance must be carried out once a year in Germany. By a qualified person who has been authorized by the company Baier GmbH.



### Hint

Defects found must be corrected immediately.

### 4.2.1 Checklist operated motorized

Activity / function	OK?
Function lock	<input type="checkbox"/>
Function wing	<input type="checkbox"/>
Check the wire rope	
• Fraction	<input type="checkbox"/>
• Fraction partly	<input type="checkbox"/>
Check the fillings	
• Fraction	<input type="checkbox"/>
• Crack	<input type="checkbox"/>
Power switching off	<input type="checkbox"/>
Timing belt tension	<input type="checkbox"/>
➤ Clean guides	<input type="checkbox"/>
➤ Maintain guides with Teflon spray	<input type="checkbox"/>

Table 3 - Checklist – operated motorized

Bei uns erhalten Sie bewährte Qualität:

Baier GmbH  
Reiersbacher Straße 28  
D-77871 Renchen-Ulm

Tel. +49 (0) 78 43 / 94 76 - 0  
Fax +49 (0) 78 43 / 94 76 - 33

[info@baier-gmbh.de](mailto:info@baier-gmbh.de)  
[www.baier-gmbh.de](http://www.baier-gmbh.de)

